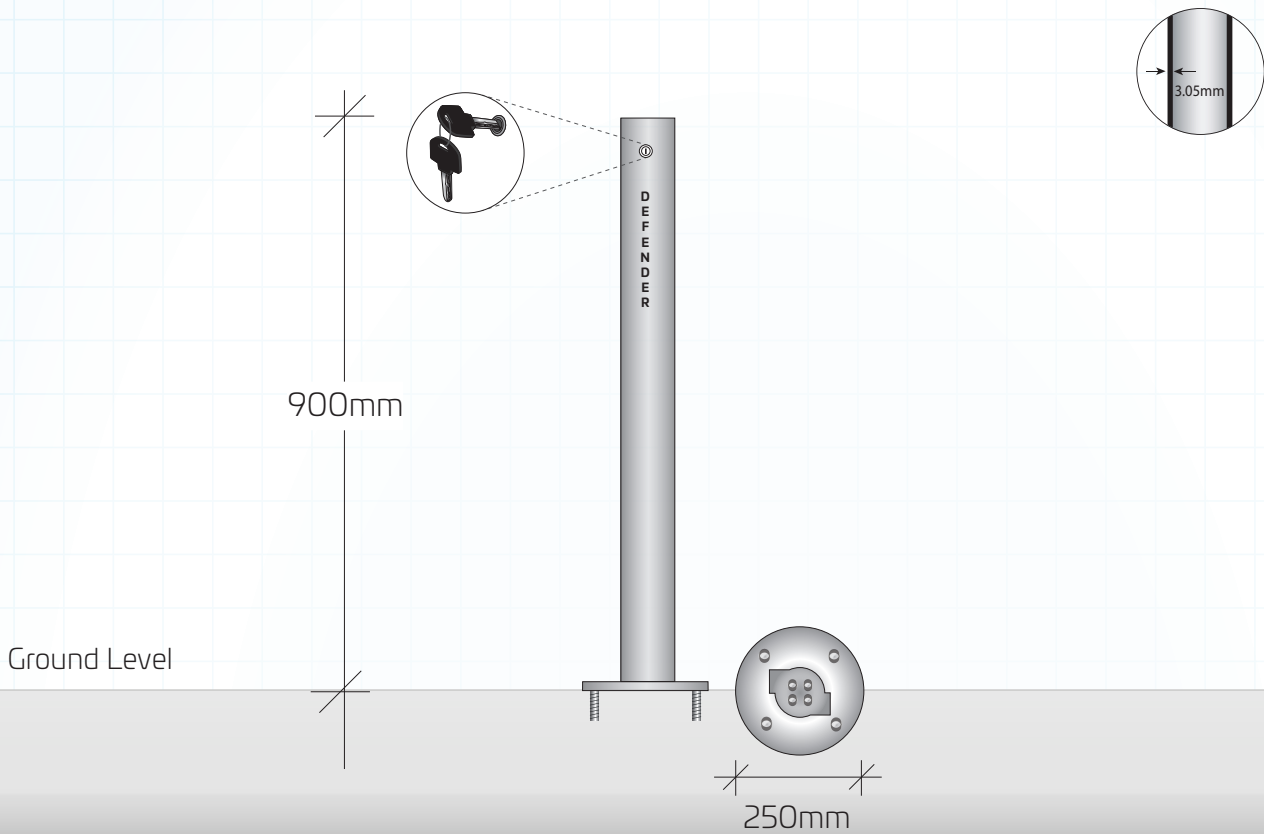


DEFENDER BOLLARD

SS90/RBK

Impact Resistant Security



90mmØ Stainless Steel Baseplated Removable

Code	Style	Height	Diameter	Wall Th.	Baseplate Size
SS90/RBK	Bolt-Down	900mm	90mm	3.05mm	250 x 12mm

- Features an internal keying mechanism
- Separate base that sits just 12mm high
- Simple 'twist and lock' mechanism
- Features chamfered edges
- Countersunk fixing holes are covered by stem when locked, providing a very secure bollard
- Available in powdercoated mild steel or stainless steel finishes
- Option of 90mm or 140mm diameter stems
- For applications where in-ground sleeves are not suitable

1300 76 44 77

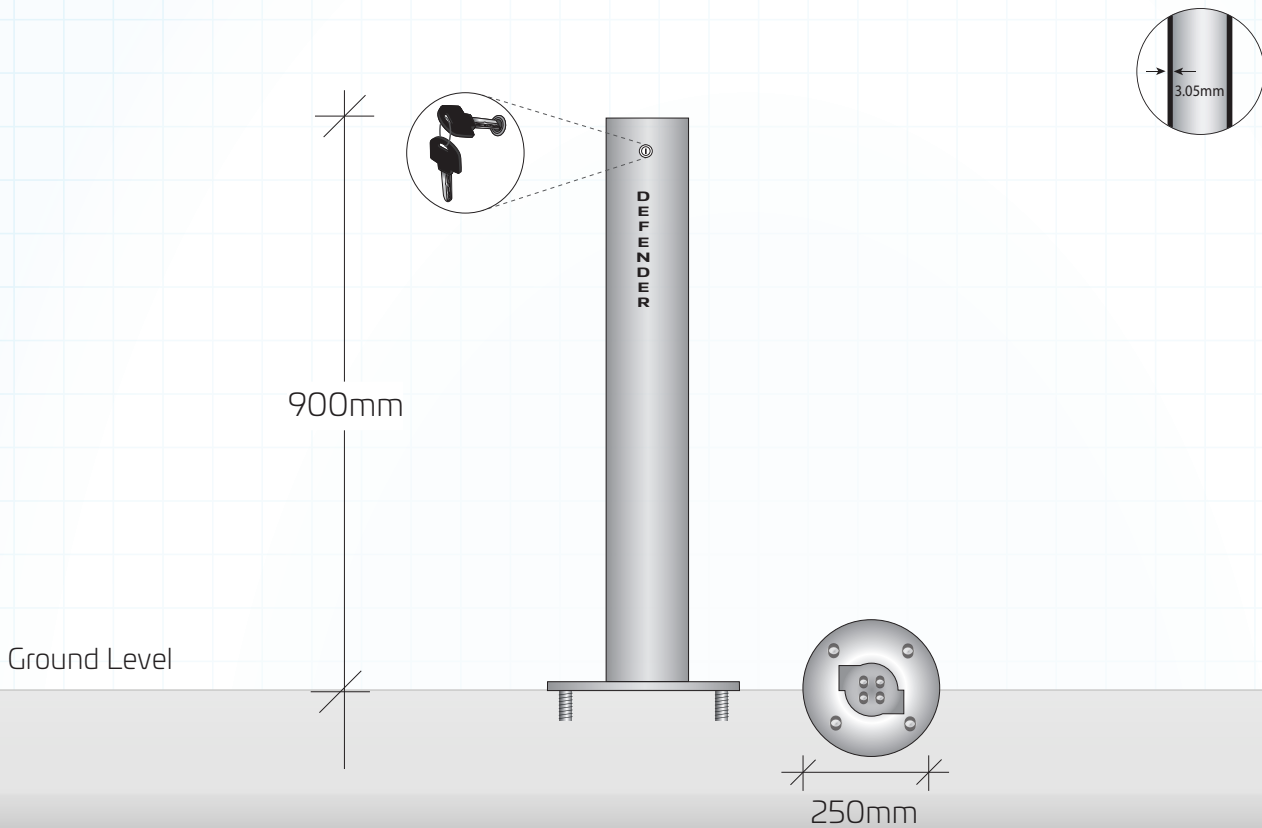
www.pws.com.au email: sales@pws.com.au

• Installation service available in Sydney, Melbourne, Brisbane and Perth

DEFENDER BOLLARD

SS140/RBK

Impact Resistant Security



140mmØ Stainless Steel Baseplated Removable

Code	Style	Height	Diameter	Wall Th.	Baseplate Size
SS140/RBK	Bolt-Down	900mm	140mm	3.05mm	250 x 12mm

- Features an internal keying mechanism
- Separate base that sits just 12mm high
- Simple 'twist and lock' mechanism
- Features chamfered edges
- Countersunk fixing holes are covered by stem when locked, providing a very secure bollard
- Available in powdercoated mild steel or stainless steel finishes
- Option of 90mm or 140mm diameter stems
- For applications where in-ground sleeves are not suitable

1300 76 44 77

www.pws.com.au email: sales@pws.com.au

• Installation service available in Sydney, Melbourne, Brisbane and Perth