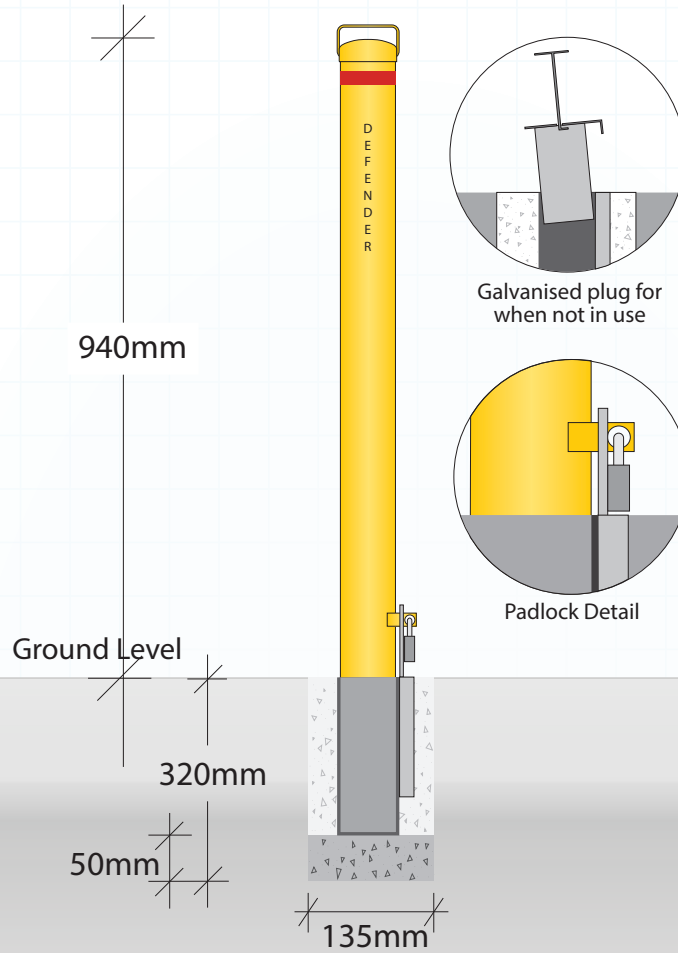


# DEFENDER BOLLARD

DB90/RLT & DB90/RHT



## 90mmØ Removable Bollards

Code	Traffic Suitability	Product Height	Depth IG	Wall Th.	Installed Height
DB90/RLT	Low Traffic	1240mm	320mm	4mm	960mm
DB90/RHT	High Traffic	1240mm	320mm	4mm	960mm

## Fixed Bollard Optional Extras

Code	Description
PADS40	40mm Padlock
PADS50	50mm Padlock

- Ideal for where inground sleeves are not suitable
- Lifting handle ensures easy handling
- Chamfered edges, countersunk fixing holes
- Stem fixed into position by a base plate, then secured with a padlock
- Optional storage accessories available
- Highly visible safety yellow powdercoat finish as standard
- Recommended core cutting size 135mm minimum

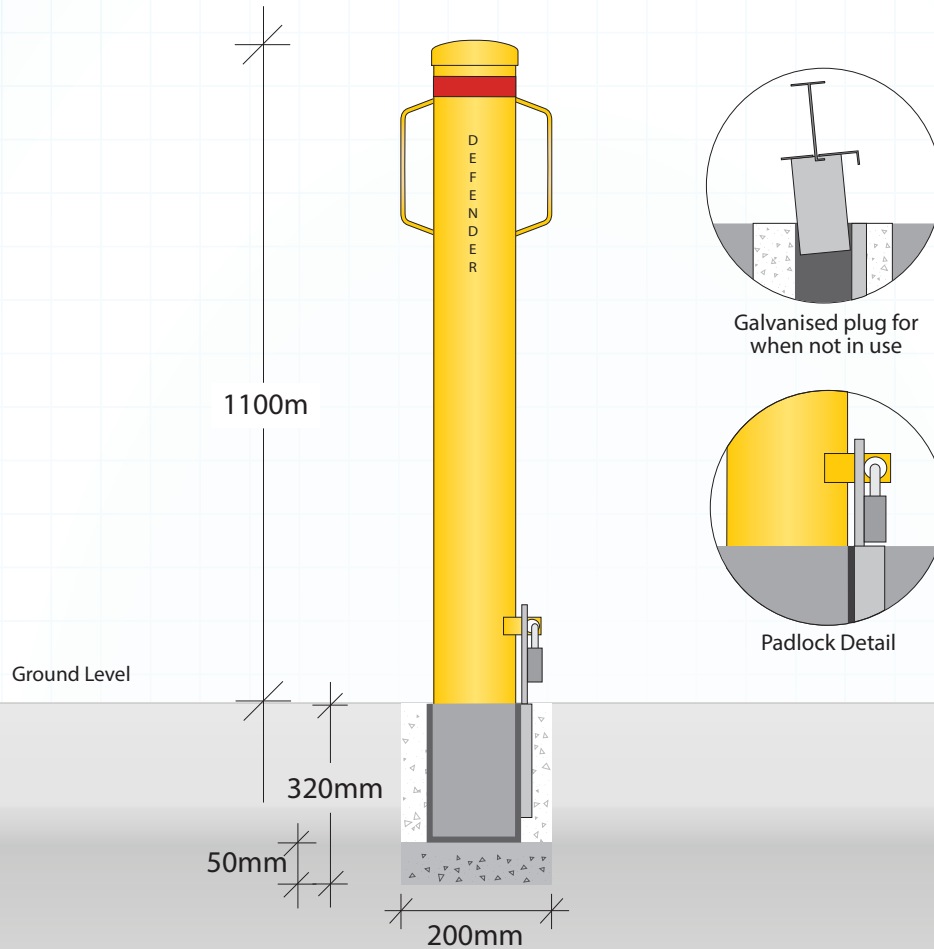
1300 76 44 77

www.pws.com.au email: sales@pws.com.au

• Installation service available in Sydney, Melbourne, Brisbane and Perth

# DEFENDER BOLLARD

DB140/RLT & DB140/RHT



## 140mmØ Removable Bollards

Code	Traffic Suitability	Product Height	Depth IG	Wall Th.	Installed Height
DB140/RLT	Low Traffic	1500mm	320mm	5mm	1100mm
DB140/RHT	High Traffic	1500mm	320mm	5mm	1100mm

## Fixed Bollard Optional Extras

Code	Description
PADS40	40mm Padlock
PADS50	50mm Padlock

- Ideal for where inground sleeves are not suitable
- Lifting handle ensures easy handling
- Chamfered edges, countersunk fixing holes
- Stem fixed into position by a base plate, then secured with a padlock
- Optional storage accessories available
- Highly visible safety yellow powdercoat finish as standard
- Recommended core cutting size 200mm minimum

1300 76 44 77

www.pws.com.au email: sales@pws.com.au

• Installation service available in Sydney, Melbourne, Brisbane and Perth